



Project: _____ TYPE: _____

Features

- Switching electronic power supply
- Constant Voltage
- Universal input voltage: 100-277V AC
- Single and multiple 12V DC outputs
- UL listed for dry/damp location box
- 5 year warranty

Environmental

- Operating temperature: -40°C to +80°C (Full load)
- Storage temperature: -65°C to +90°C
- Heat Dissipation: Convection

Mechanical Specification

- Steel enclosure
- Internal holes for wall mount and ½” knock-outs for conduit and fittings
- NEMA 1 rated

Electrical Data

- Secondary circuit maximum protection for Class 2 circuits: 5A for 12V DC
- Voltage regulated
- Voltage regulated +/-3%
- Auto overload / short circuit / over voltage protection

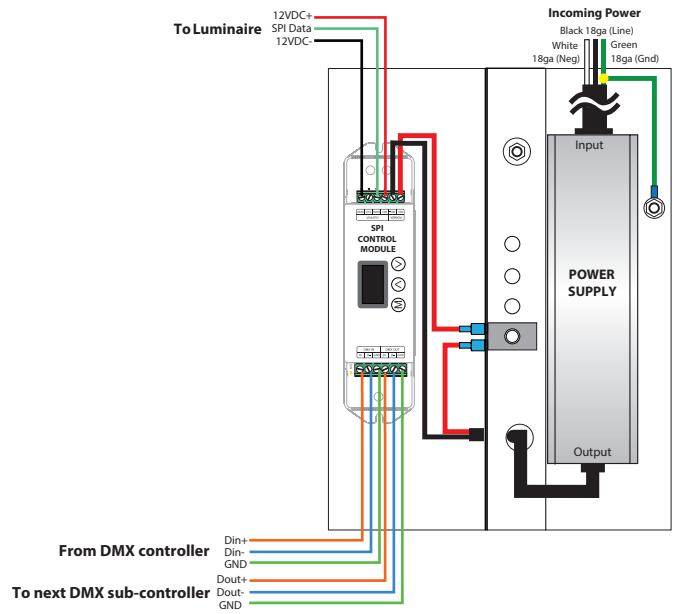


Order Specification Guide

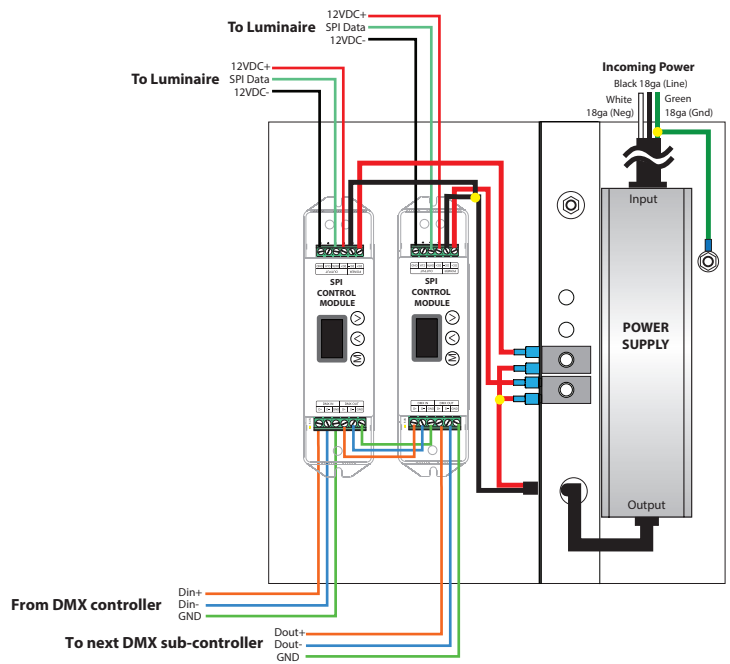
DESCRIPTION	CAT NO	APPLICATION	PRIMARY VOLTAGE	SECONDARY VOLTAGE	CIRCUIT BREAKERS	MAX LOAD	CIRCUIT CAPACITY	DIMENSION
ADUL Series Class 2 Transformer	ADUL-60-1-5-12-SPI	Indoor or Damp	100-277V AC 5% HZ	12V DC	1	60W	5A	10.00”W X 10.00”L X 4.00”D
	ADUL-150-2-5-12-SPI				2	2x60W	2x5A	12.00”W X 12.00”L X 4.25”D
	ADUL-240-3-5-12-SPI				3	3x60W	3x5A	16.00”W X 16.00”L X 4.00”D
	ADUL-320-4-5-12-SPI				4	4x60W	4x5A	16.00”W X 16.00”L X 4.00”D

Wiring Diagram

ADUL-60-1-5-12-SPI
 120-277V AC / 12V DC, 60W / 1 CIRCUIT X 5A

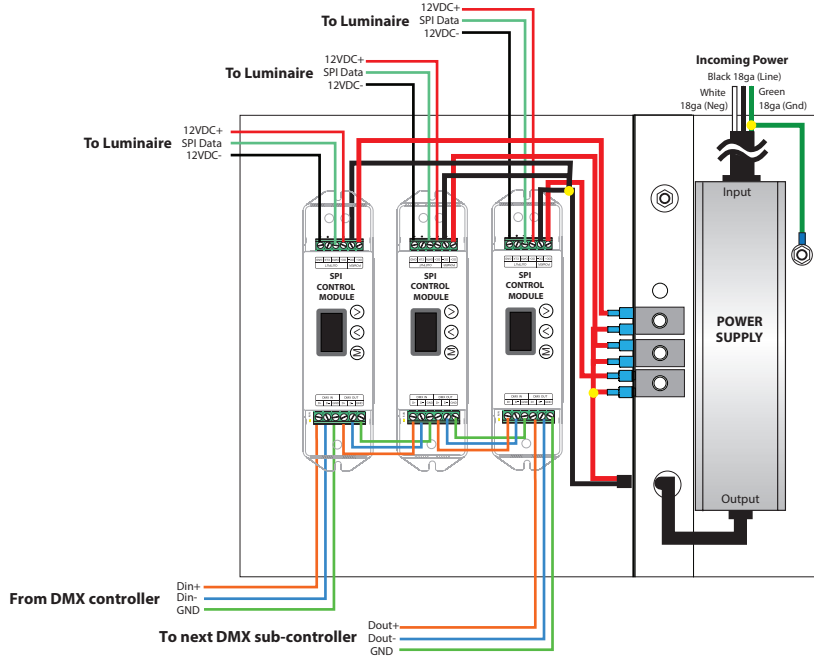


ADUL-150-2-5-12-SPI
 120-277V AC / 12V DC, 150W / 2 CIRCUITS X 5A



Wiring Diagram

ADUL-240-3-5-12-SPI
 120-277V AC / 12V DC, 240W / 3 CIRCUITS X 5A



ADUL-320-4-5-12-SPI
 120-277V AC / 12V DC, 320W / 4 CIRCUITS X 5A

